



## 12.15 How to clean/disinfect

---

### WARNING!



Infections can be transferred through skin contact.

All items/equipment components, with which the user can come into contact during the application, must be cleaned and disinfected after every session:

- Protective goggles
- Fan
- Entry area
- Acrylic panels
- Handles and INTERIOR DISPLAY
- Use only EPA registered quaternary ammonium germicidal based detergent solution (follow product label for use-dilution), such as Lucasol One Step, to clean and disinfect the Recovery IR and its components.



### NOTE:

For thorough cleaning and disinfection, the product must be allowed to remain in contact with the surface being cleaned and disinfected for a specified amount of time.

This specified amount of time depends on the cleaner/disinfectant which is used. Follow the directions for use of the cleaner/disinfectant.

After this specified application time remove remaining cleaner/disinfectant from the surfaces of the device. Use a single-pass paper towel.

Once the remaining cleaner/disinfectant has been removed, perform a visual inspection for signs of any remaining cleaning solution, or areas still soiled. If either are remaining, repeat the cleaning process until a visual inspection can be successfully completed without the need for additional cleaning.

If any of the components listed above cannot be successfully cleaned and disinfected, they must be replaced.

## 12.15.1 Cleaning and disinfection of surfaces

### Acrylic panel



#### NOTICE!

Do not rub with a dry cloth – danger of scratching!

- Other cleaning agents, especially disinfectants or solvents (e.g. Lysoform, ethyl alcohol or other liquids containing alcohol) must never be used for cleaning.  
Failure to observe this voids all warranty claims.

Acrylic panels (2) & (3) referenced in section 12.15.2 'Cleaning/disinfection plan'

These panels are not in direct contact with the user, however they can become soiled if the user inadvertently touches them. If these panels are left soiled for an extended period of time, the heat and light from the Red Light & Near Infrared LED may cause the soiled areas to become permanently stained. Therefore we recommend frequently inspecting and cleaning these panels when necessary, to ensure the serviceable life of the acrylic.

- Remove fingerprints and other soiling carefully.

### Plastic surfaces

For cleaning the remaining painted and unpainted plastic surfaces, it is best to simply use warm water and commercially available soft chamois leather. Never use aggressive cleaning agents containing alcohol or essential oils. These may lead, in the long run, to damages not covered by the warranty.

During cleaning a slight discoloration of the leather cloth by the rubber seals should be expected for production-related reasons.

Prevent damage to the acrylic glass and plastic surfaces.

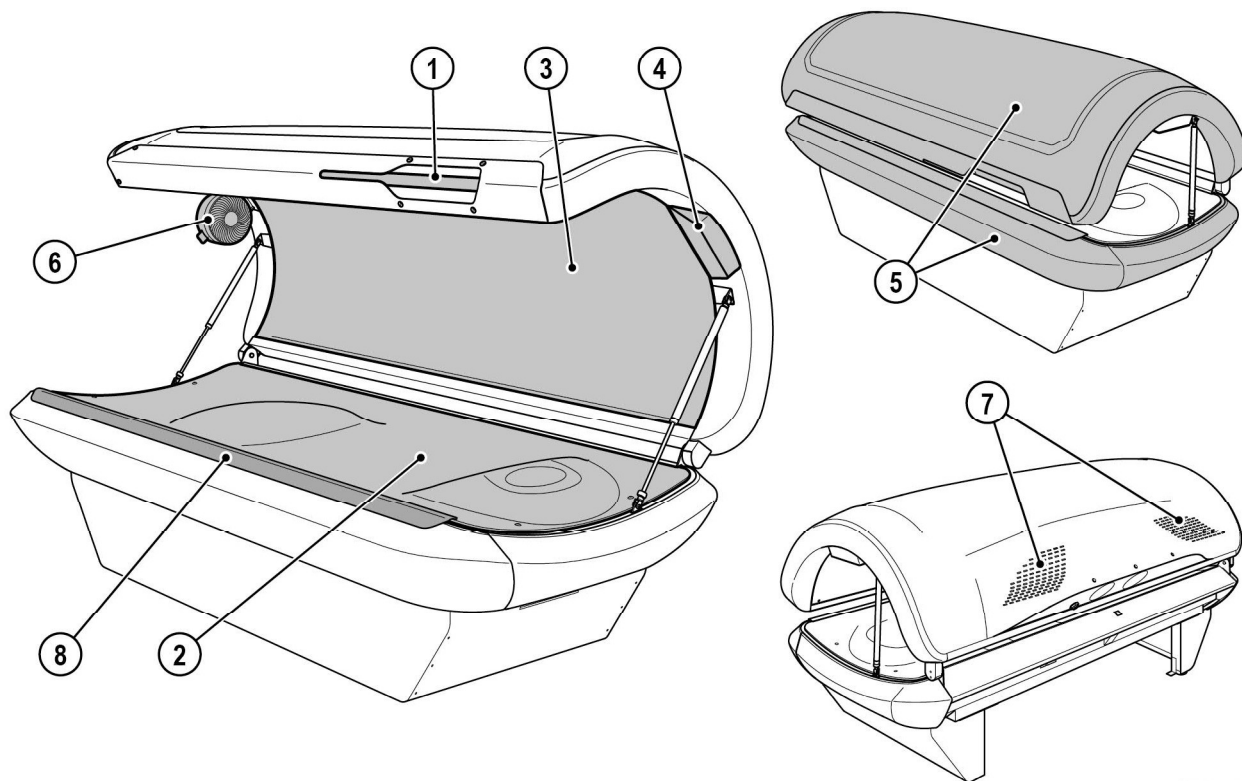
- Remove rings, watches, bracelets etc. before starting cleaning work.



### Lamps

Not applicable for this device.

## 12.15.2 Cleaning/disinfection plan



21164 / 0

Component		Interval		Activity	See page
		After each use	As necessary		
1	Handle	X		Clean and disinfect	43
2	Acrylic glass panel	X		Clean and disinfect	43
3	Canopy panel		X	Clean	43
4	INTERIOR DISPLAY	X		Clean and disinfect	43
5	Surfaces		X	Clean	43
6	Fan		X	Clean	42
	Protective goggles	X		Clean and disinfect	43
7	Ventilation slots		X	Clean (vacuum)	52

## 12.16 How to maintain



### 12.16.1 Technical modifications

The device has been constructed in accordance with current safety regulations. The illustrations and specifications on these instructions are subject to technical modifications which are required in order to improve the device.

Unauthorized modifications and changes to the device and its control unit are prohibited.

### 12.16.2 Maintenance schedule for wear parts



**NOTE:**

The service of the device may only be carried out by a (Level 2) JK Factory Certified Technician.

#### NOTICE

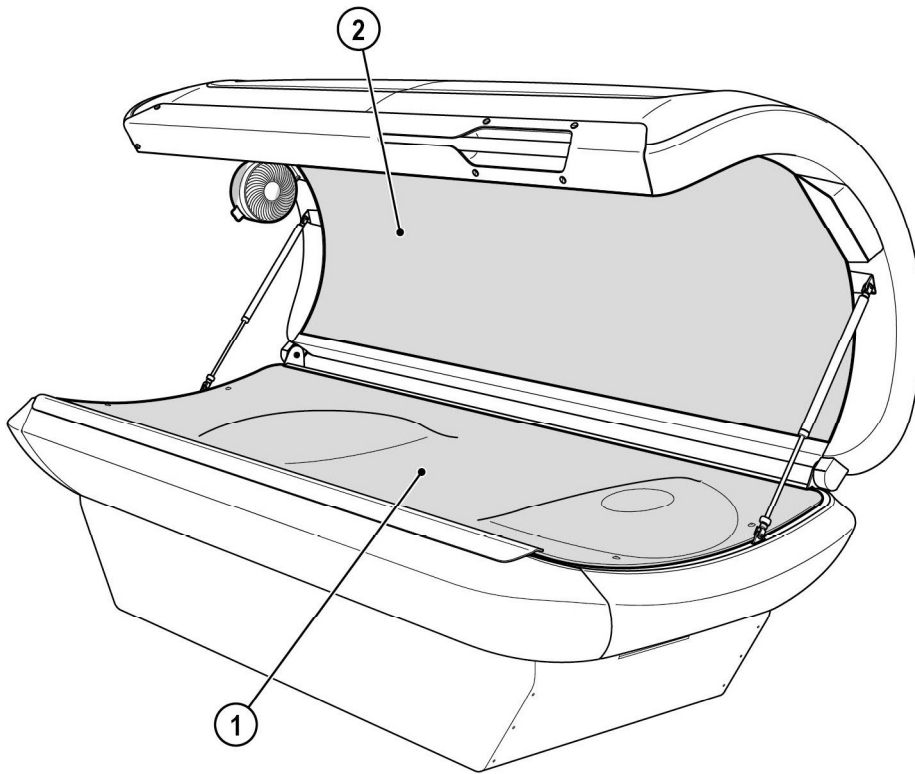
Only use OEM spare parts of the same type! The use of other parts will void the manufacturer's warranty!

Any liability is excluded in case of damage or injury proven to be the result of the use of non-genuine spare parts.

The following maintenance activities shall be performed by the studio operator or a (Level 1) JK Factory Certified Technician.

The following items are considered consumables and should be replaced as noted. Replacement of these components helps ensure continued performance of the device.

Maintenance performed by the studio operator or a JK Factory Certified Technician



21165 / 0

Component	Interval	Activity	See page
	5000 Operating hours		
1 Acrylic panel, base	X	Replace	51
2 Acrylic panel, canopy	X	Replace	49