

# JK Products & Services, Inc.

## BEAUTY ANGEL RVT 30

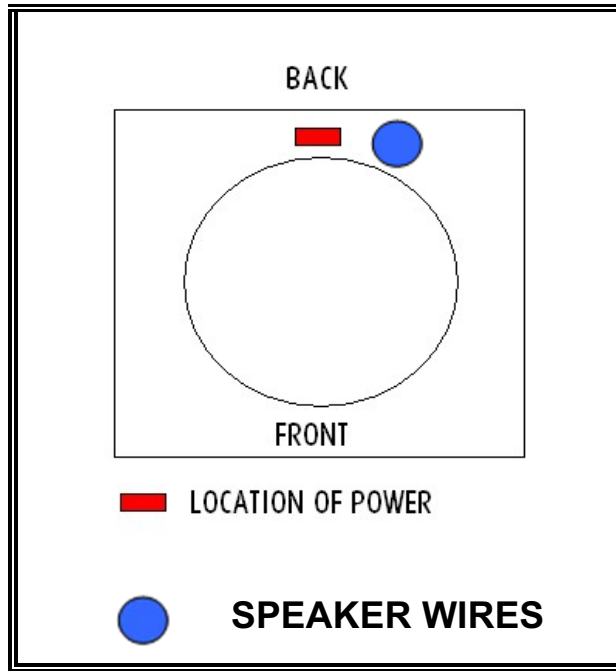


Power consumption rating	8,700 W
Rated frequency	60 Hz
Rated voltage	230 V
Rated breakers*	30 amp 3-pole or 50 amp 2-pole
Rated amp draw 3 Ø	23
Rated amp draw 1 Ø	40
Mains Power Connection*	The unit is configured from the factory for connection to 3-Phase power. A 3/4" liquid-tight connector is provided <b>See note for wiring</b>
Noise level 1m away from device	71.6 dB
Noise level inside the device	<81 dB
Load on the acrylic panel	N/A
Weight	approx. 1,062 lb
Operating temperature	59-89 °F
Unit footprint**	94 1/2" X 76 3/16"
Minimum Room Size	6' X 8'
Number of body lamps	30 @ 180W Beauty Light 2M

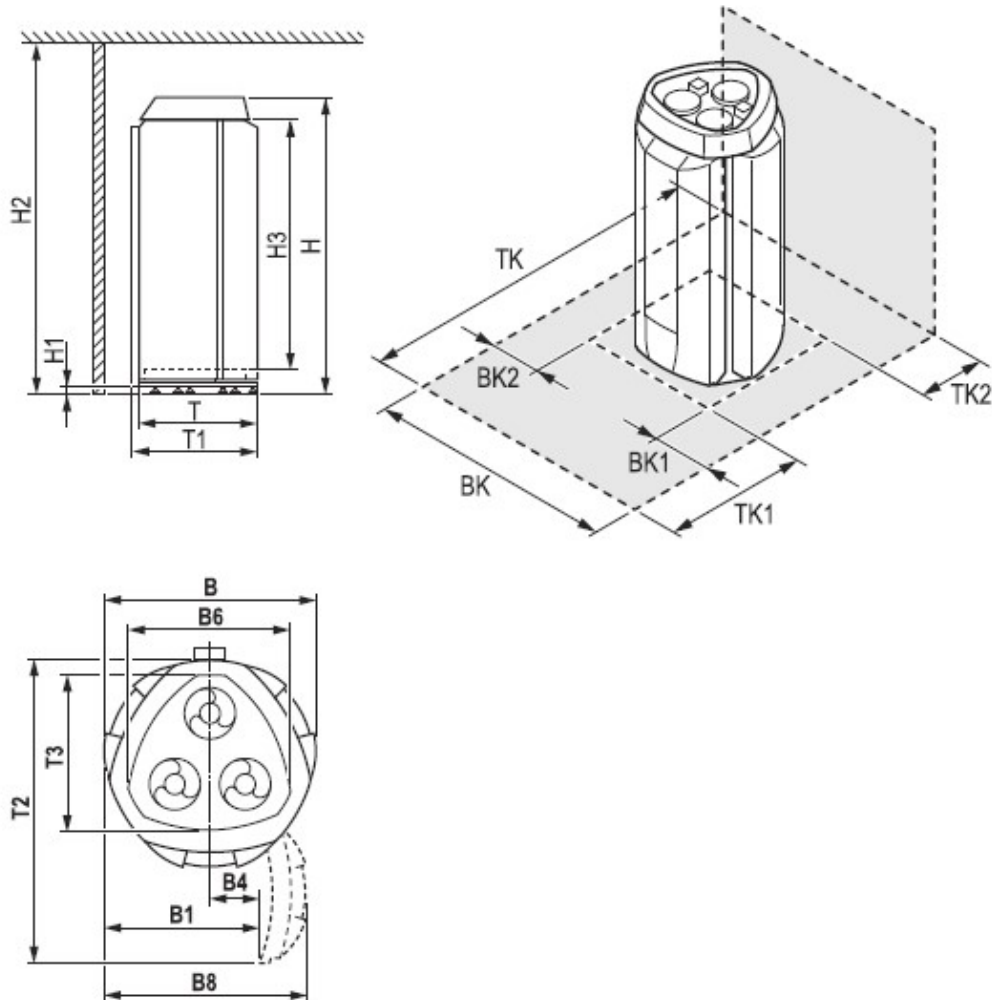
\*Owner is responsible for all wiring up to the terminal block connection inside the device. As well as ensuring the wire is properly sized for the amp draw and breaker selection per the electrical code in their area.

\*\*Minimum footprint size for proper operation and cooling of the unit. Does not account for door sizes or obstructions in the room. (Footprint measurement is not the room size)

# JK Products & Services, Inc.



## ACTUAL DIMENSIONS



# JK Products & Services, Inc.

B =	54 13/16 in	1,392 mm
B1 =	34 1/8 in	866 mm
B4 =	6 9/16 in	166 mm
B6 =	34 in	864 mm
B8 =	53 13/16 in	1,367 mm
T =	50 3/8 in	1,279 mm
T1 =	54 5/16 in	1,380 mm
T2 =	72 5/16 in	1,837 mm
T3 =	34 1/16 in	865 mm
H =	92 3/16 in	2,341 mm
H1 =	2 11/16 in	69 mm
H2 =	102 3/8 in	2,600 mm
H3 =	79 1/2 in	2,020 mm
BK =	76 3/16 in	1,935 mm
BK1 =	19 11/16 in	500 mm
BK2 =	19 11/16 in	500 mm
TK =	94 1/2 in	2,400 mm
TK1 =	34 5/8 in	880 mm
TK2 =	11 13/16 in	300 mm

---