

# JK Products & Services, Inc

## Planet Fitness 42/3 TLT

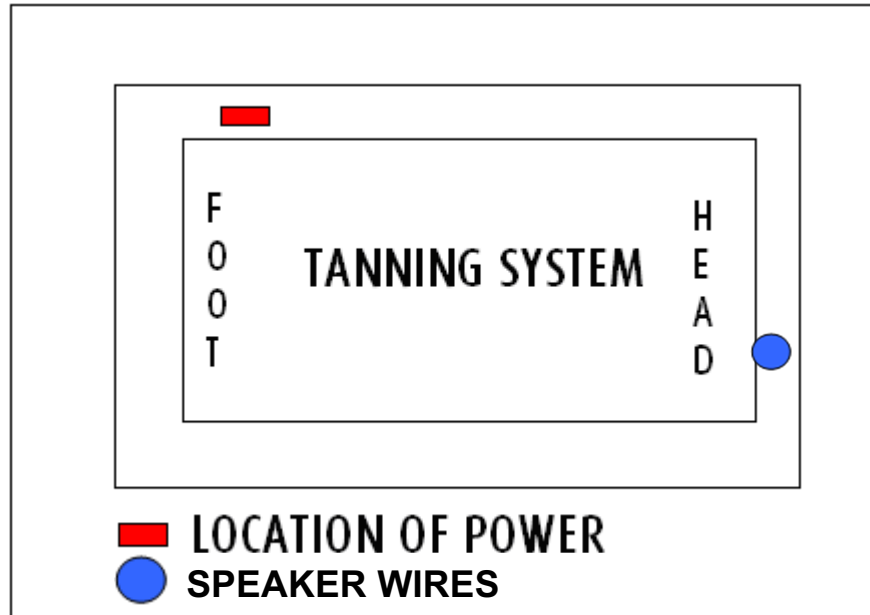


Power consumption rating	8,800 W – 8.8 KW
Rated frequency	60 Hz
Rated voltage	230 V
Rated breakers*	35 amp 3-pole or 60 amp 2-pole
Rated amp draw 3 Ø	26
Rated amp draw 1 Ø	42
Mains Power Connection*	The unit is configured from the factory for connection to 3-Phase power.
	A 1" liquid-tight connector is provided
	See note for wiring
Noise level 1m away from device	62.5 dB
Noise level inside the device	< 72.5 dB
Load on the acrylic panel	max. 330 lbs
Weight	approx. 1,096 lbs
Operating temperature	59-89 °F
Unit footprint**	94 1/2" X 82 3/4"
Number of body lamps	Base Qty: 16 @ 160W 71"
	Side Qty: 8 @ 160W 71"
	Canopy Qty: 18 @ 160W 71"
Number of facial lamps	Spectra LED Facial Tanner: Qty: 126 x UVA LEDs
Spaghetti lamps	Qty: 2 @ 8W Genesis HLT Hybrid
Shoulder Tanner	N/A
Red & Blue LEDs	Red & Blue

# JK Products & Services, Inc

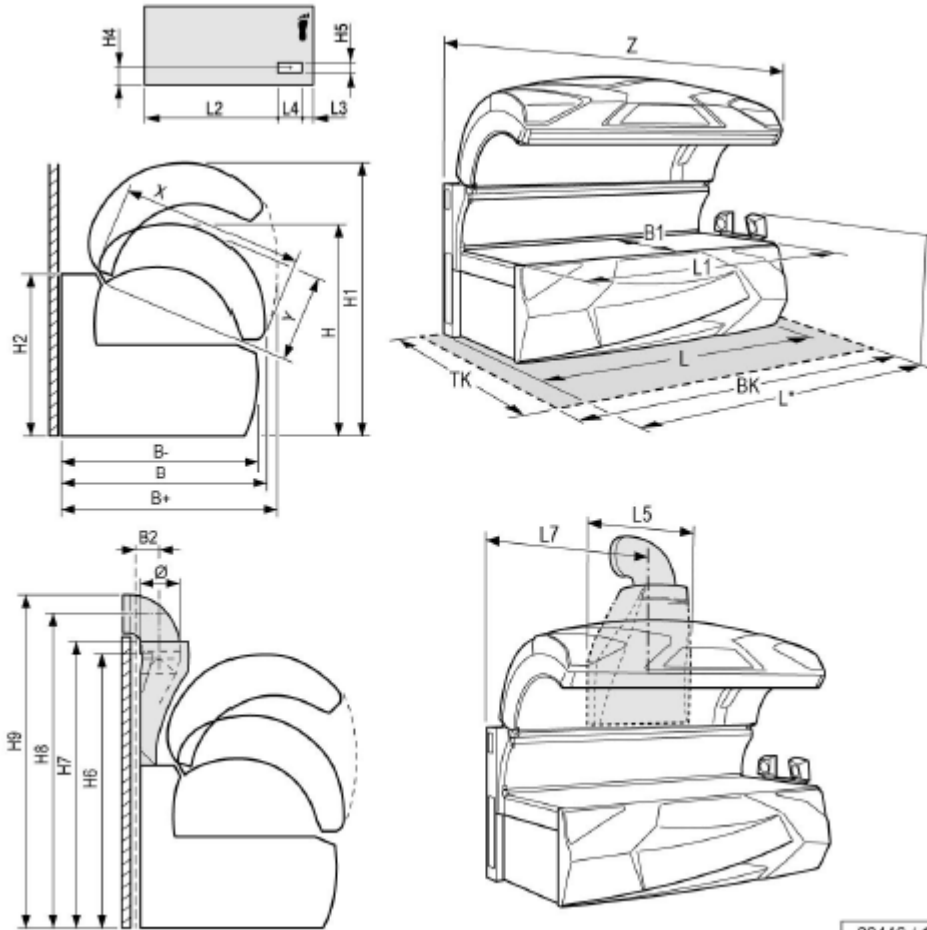
\*Owner is responsible for all wiring up to the terminal block connection inside the device. As well as ensuring the wire is properly sized for the amp-draw and breaker selection per the electrical code in their area. Slow-blow fuses and/or Breakers with Trip curve "D" are recommended.

\*\*Minimum footprint size for proper operation and cooling of the unit. Does not account for door sizes or obstructions in the room. (Footprint measurement is not the room size)



# JK Products & Services, Inc

## ACTUAL DIMENSIONS



20446 / 1

B + =	54,72 in	1,390 mm
B =	53,54 in	1,360 mm
B - =	52,76 in	1,340 mm
B1 =	42,52 in	1,080 mm
B2 =	7,68 in	195 mm
L* =	92,64 in	2,353 mm
L =	88,19 in	2,240 mm
L1 =	86,61 in	2,200 mm
L2 =	70,47 in	1,790 mm
L3 =	13,15 in	334 mm
L4 =	4,72 in	120 mm
L5 =	23,62 in	600 mm
L7 =	44,09 in	1,120 mm
H =	59,65 in	1,515 mm

H1 =	72,64 in	1,845 mm
H2 =	43,31 in	1,100 mm
H4 =	21,65 in	550 mm
H5 =	4,72 in	120 mm
H6 =	73,43 in	1,865 mm
H7 =	75,67 in	1,922 mm
H8 =	87,76 in	2,229 mm
H9 =	92,68 in	2,354 mm
X =	41,34 in	1,050 mm
Y =	25,51 in	648 mm
Z =	87,60 in	2,225 mm
Ø =	11,81 in	300 mm
BK =	94,49 in	2,400 mm
TK =	82,68 in	2,100 mm