

JK Products & Services, Inc

ERGOLINE PASSION 40/3 PLUS

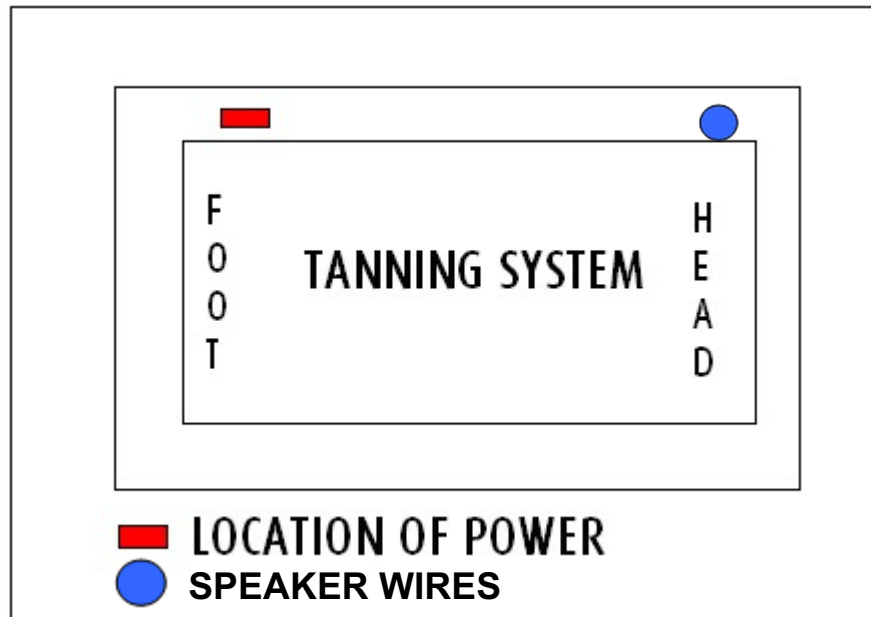


Power consumption rating	10,000 W
Rated frequency	60 Hz
Rated voltage	230 V
Rated breakers	40 amp 3-pole or 60 amp 2-pole
Rated amp draw 3 Ø	27
Rated amp draw 1 Ø	47
Mains Power Connection*	The unit is configured from the factory for connection to 3-Phase power. A 3/4" liquid-tight connector is provided See note for wiring
Noise level 1m away from device	<66.0 dB
Noise level inside the device	<70dB
Load on the acrylic panel	max. 330 lb
Weight	approx. 805 lb
Operating temperature	59-89 °F
Unit footprint**	94 1/2" X 90 9/16"
Minimum Size Room	9' X 7'
Number of body lamps	Base 16 @ 160W 71"
	Canopy 24 @ 160W 71"
Number of facial lamps	3 @ 400W
Spaghetti lamps	2 @ 8W

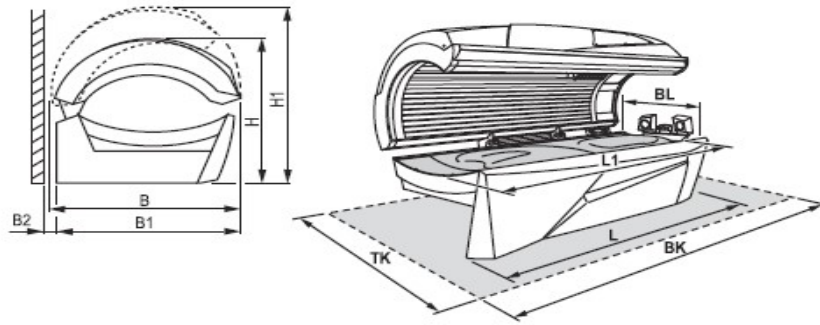
*Owner is responsible for all wiring up to the terminal block connection inside the device. As well as ensuring the wire is properly sized for the amp draw and breaker selection per the electrical code in their area.

****Minimum footprint size for proper operation and cooling of the unit. Does not account for door sizes or obstructions in the room. (Footprint measurement is not the room size)**

JK Products & Services, Inc



ACTUAL DIMENSIONS



11806 / 0

B =	47 4/16 in	1,200 mm
B1 =	30 11/16 in	780 mm
H =	48 7/16 in	1,230 mm
H1 =	62 3/16 in	1,580 mm
L =	84 10/16 in (without Sound System)	2,150 mm (without Sound System)
L =	88 9/16 in (with Sound System)	2,250 mm (with Sound System)
L1 =	84 10/16 in	2,150 mm
BK =	94 1/2 in	2,400 mm
TK =	82 11/16 in	2,100 mm
B2 =	0 63/64 in	25 mm
BL =	33 15/32 in	850 mm