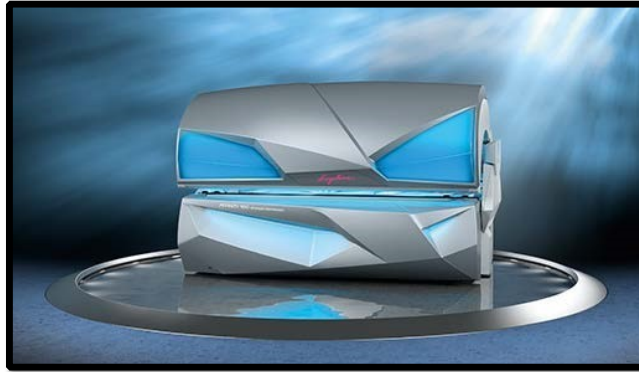


# JK Products & Services, Inc

## **ERGOLINE AFFINITY 500 LED**

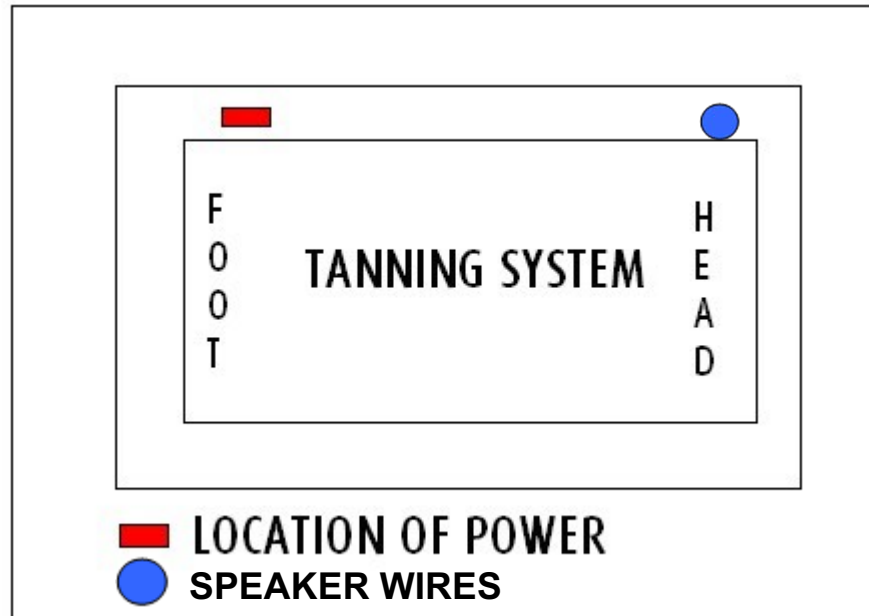


Power consumption rating	12,100 W
Rated frequency	60 Hz
Rated voltage	230 V
Rated breakers*	40 amp 3-pole or 80 amp 2-pole
Rated amp draw 3 $\emptyset$	32
Rated amp draw 1 $\emptyset$	55
Mains Power Connection*	The unit is configured from the factory for connection to 3-Phase power. A 1" liquid-tight connector is provided <b>See note for wiring</b>
Noise level 1m away from device	67.2 dB
Noise level inside the device	<81 dB
Load on the acrylic panel	max. 330 lb
Weight	approx. 1,157 lb
Operating temperature	59-89 °F
Unit footprint**	94 1/2" X 90 9/16"
Minimum Room Size	9' X 8'
Number of body lamps	Base 17 @ 160W 71"
	Canopy 26 @ 160W 71"
Number of facial lamps	3 @ 520W
Number of shoulder tanner lamps	7 @ 25W

# JK Products & Services, Inc

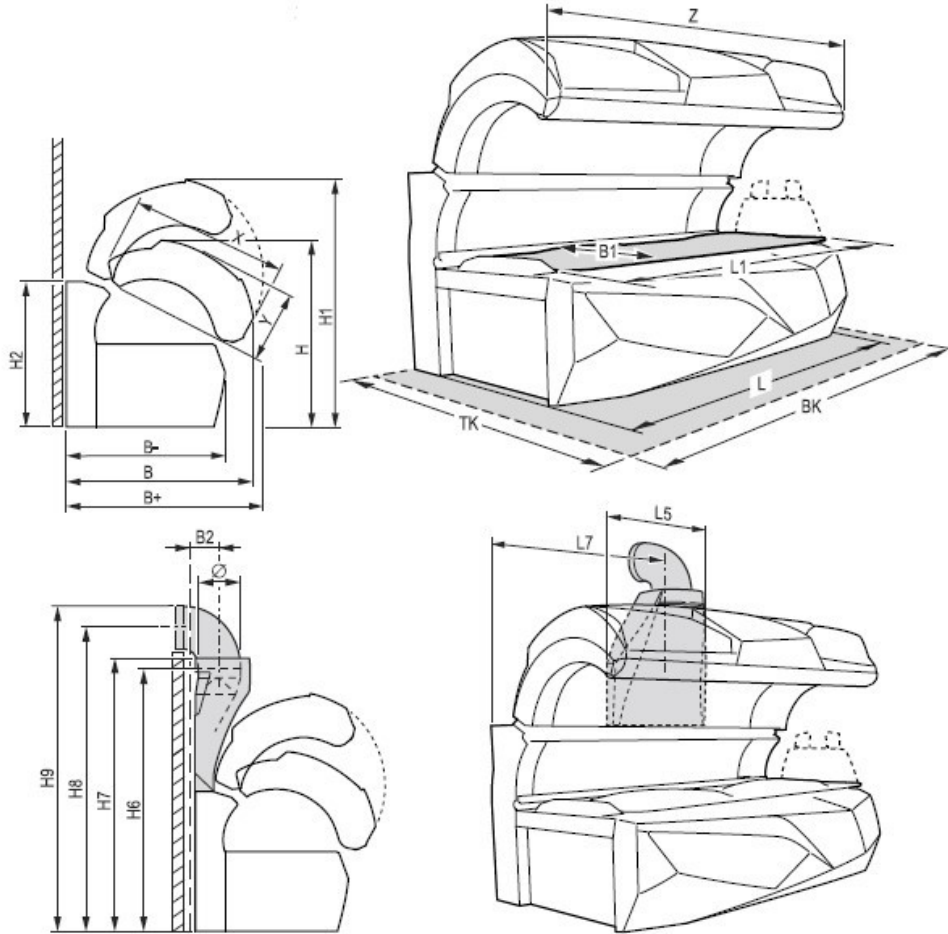
\*Owner is responsible for all wiring up to the terminal block connection inside the device. As well as ensuring the wire is properly sized for the amp draw and breaker selection per the electrical code in their area.

\*\*Minimum footprint size for proper operation and cooling of the unit. Does not account for door sizes or obstructions in the room. (Footprint measurement is not the room size)



# JK Products & Services, Inc

## ACTUAL DIMENSIONS



# JK Products & Services, Inc

B + =	54 1/4 in	1,378 mm			
B =	52 5/16 in	1,328 mm			
B - =	51 9/16 in	1,309 mm			
B1 =	31 1/2 in	800 mm			
B2 =	7 6/16 in	188 mm			
L* =	92 1/2 in	2,350 mm			
L =	89 in	2,260 mm			
L1 =	78 12/16 in	2,000 mm			
L2 =	68 2/16 in	1,730 mm			
L3 =	9 6/16 in	238 mm	H6 =	74 5/16 in	1,887 mm
L4 =	10 7/16 in	265 mm	H7 =	77 11/16 in	1,974 mm
L5 =	34 2/16 in	867 mm	H8 =	86 1/2 in	2,197 mm
L6 (L7) =	43 15/16 in	1,116 mm	X =	43 6/16 in	1,101 mm
H =	55 1/2 in	1,410 mm	Y =	22 1/2 in	572 mm
H1 =	68 11/16 in	1,745 mm	Z =	89 in	2,260 mm
H2 =	42 7/16 in	1,078 mm	∅ =	11 13/16 in	300 mm
H4 =	15 12/16 in	400 mm	BK =	94 1/2 in	2,400 mm
H5 =	4 1/2 in	114 mm	TK =	90 9/16 in	2,300 mm

---