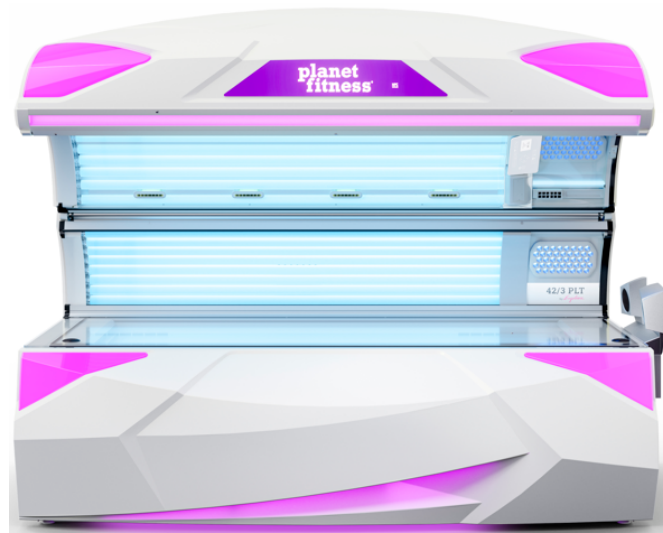


JK Products & Services, Inc

Planet Fitness 42/3 PLT



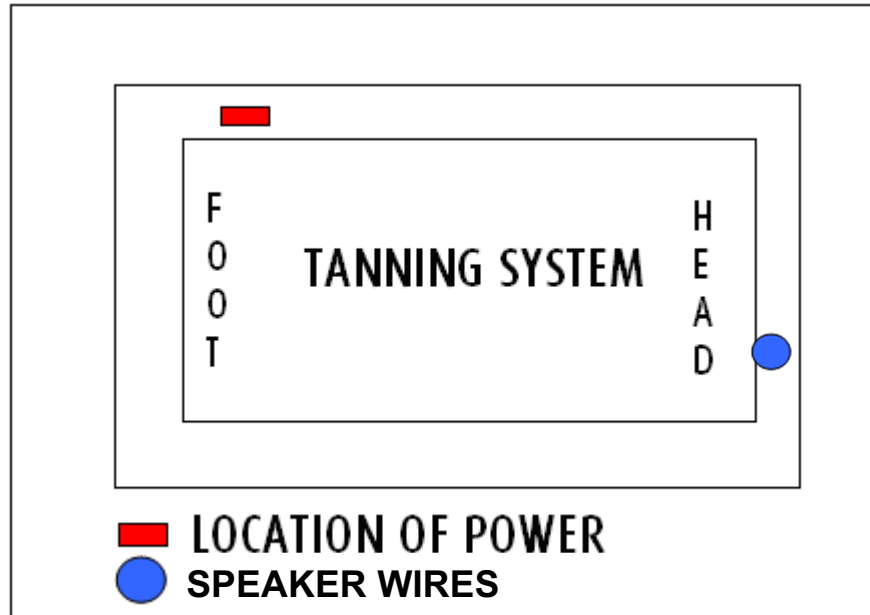
Power consumption rating	9,000 W – 9.0 KW
Rated frequency	60 Hz
Rated voltage	230 V
Rated breakers*	35 amp 3-pole or 60 amp 2-pole
Rated amp draw 3 Ø	27
Rated amp draw 1 Ø	43
Mains Power Connection*	The unit is configured from the factory for connection to 3-Phase power.
	A 1" liquid-tight connector is provided
	See note for wiring
Noise level 1m away from device	62.9 dB
Noise level inside the device	< 70 dB
Load on the acrylic panel	max. 330 lbs
Weight	approx. 1,096 lbs
Operating temperature	59-89 °F
Unit footprint**	94 1/2" X 82 3/4"
Number of body lamps	Base Qty: 16 @ 160W 71"
	Side Qty: 8 @ 160W 71"
	Canopy Qty: 18 @ 160W 71"
Number of facial lamps	Spectra LED Facial Tanner: Qty: 126 x UVA LEDs
Spaghetti lamps	Qty: 2 @ 8W Genesis PLT Pure
Shoulder Tanner	N/A
Red & Blue LEDs	N/A

Planet Fitness 42/3 PLT
Revision Date 3/1/2023
Unit Part # 100003785

JK Products & Services, Inc

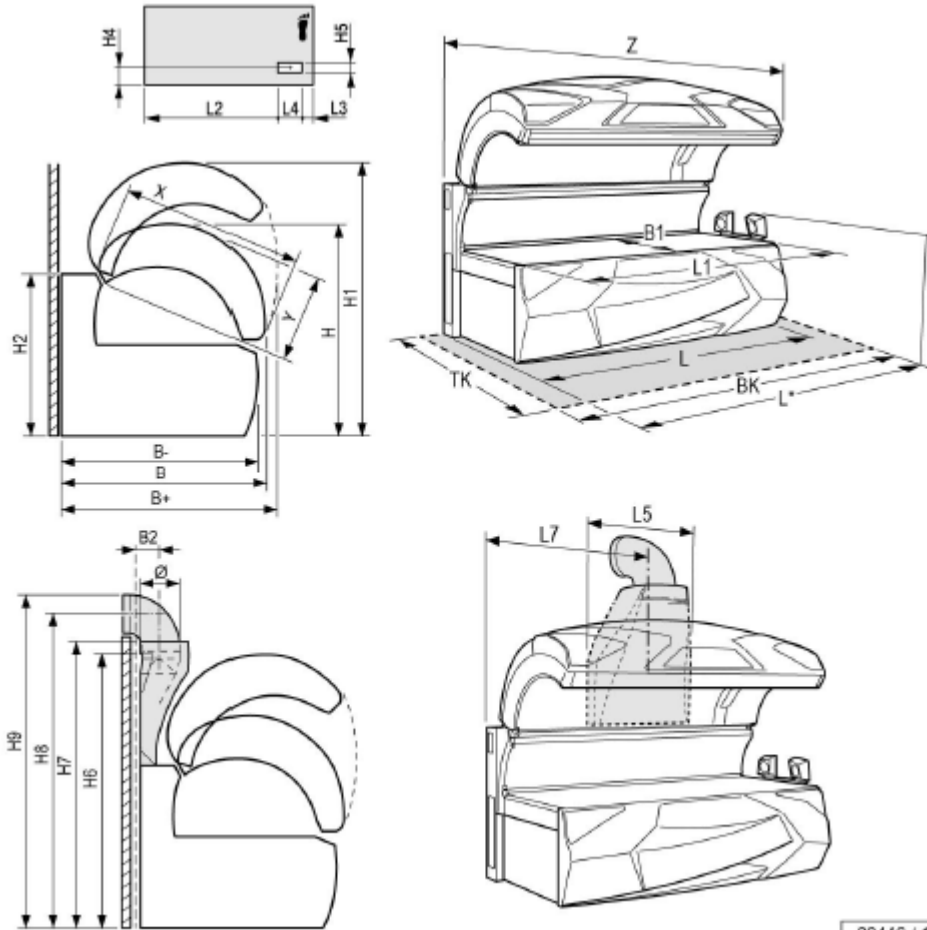
*Owner is responsible for all wiring up to the terminal block connection inside the device. As well as ensuring the wire is properly sized for the amp-draw and breaker selection per the electrical code in their area. Slow-blow fuses and/or Breakers with Trip curve "D" are recommended.

**Minimum footprint size for proper operation and cooling of the unit. Does not account for door sizes or obstructions in the room. (Footprint measurement is not the room size)



JK Products & Services, Inc

ACTUAL DIMENSIONS



20446 / 1

B + =	54,72 in	1,390 mm
B =	53,54 in	1,360 mm
B - =	52,76 in	1,340 mm
B1 =	42,52 in	1,080 mm
B2 =	7,68 in	195 mm
L* =	92,64 in	2,353 mm
L =	88,19 in	2,240 mm
L1 =	86,61 in	2,200 mm
L2 =	70,47 in	1,790 mm
L3 =	13,15 in	334 mm
L4 =	4,72 in	120 mm
L5 =	23,62 in	600 mm
L7 =	44,09 in	1,120 mm
H =	59,65 in	1,515 mm

H1 =	72,64 in	1,845 mm
H2 =	43,31 in	1,100 mm
H4 =	21,65 in	550 mm
H5 =	4,72 in	120 mm
H6 =	73,43 in	1,865 mm
H7 =	75,67 in	1,922 mm
H8 =	87,76 in	2,229 mm
H9 =	92,68 in	2,354 mm
X =	41,34 in	1,050 mm
Y =	25,51 in	648 mm
Z =	87,60 in	2,225 mm
Ø =	11,81 in	300 mm
BK =	94,49 in	2,400 mm
TK =	82,68 in	2,100 mm